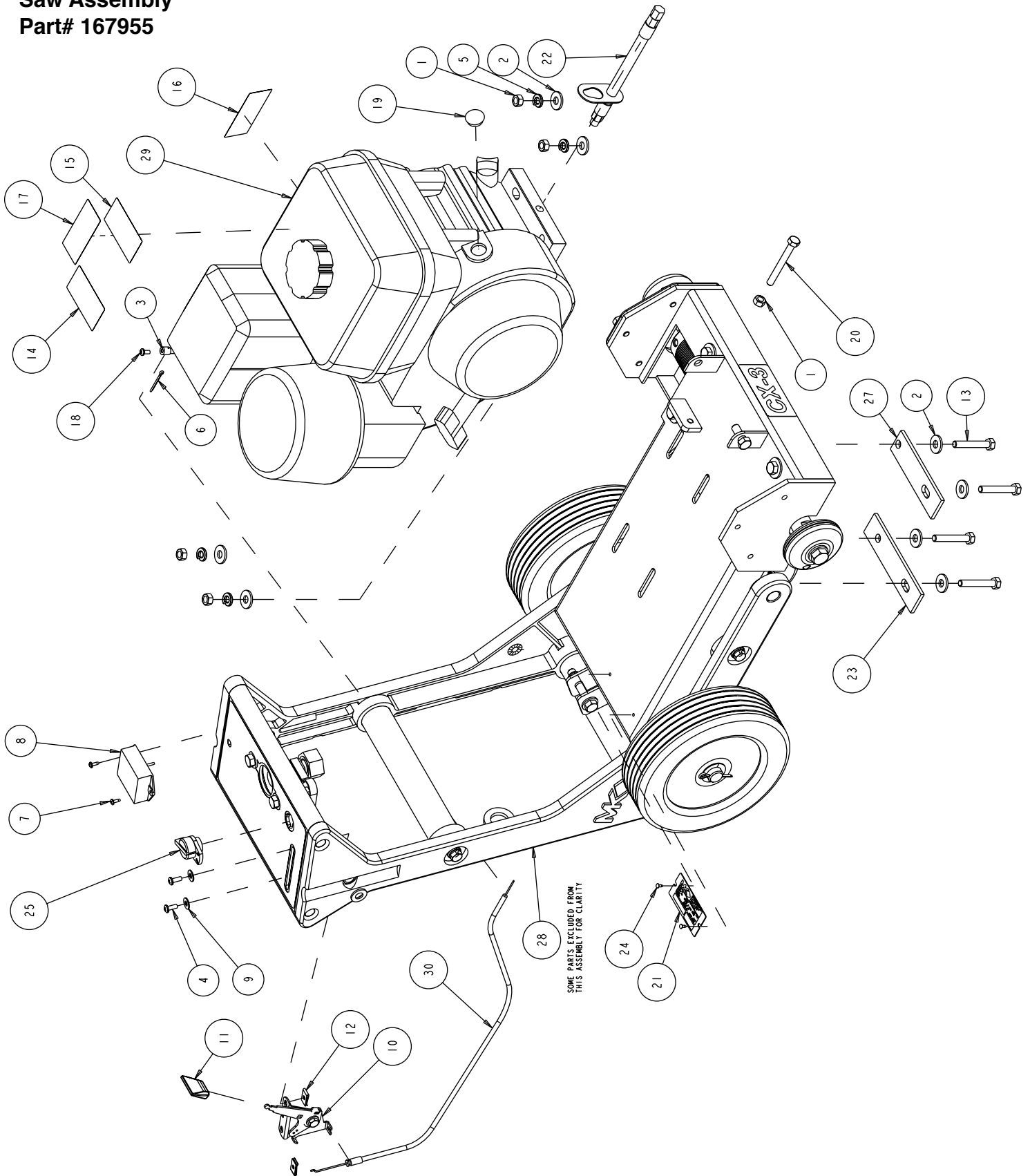
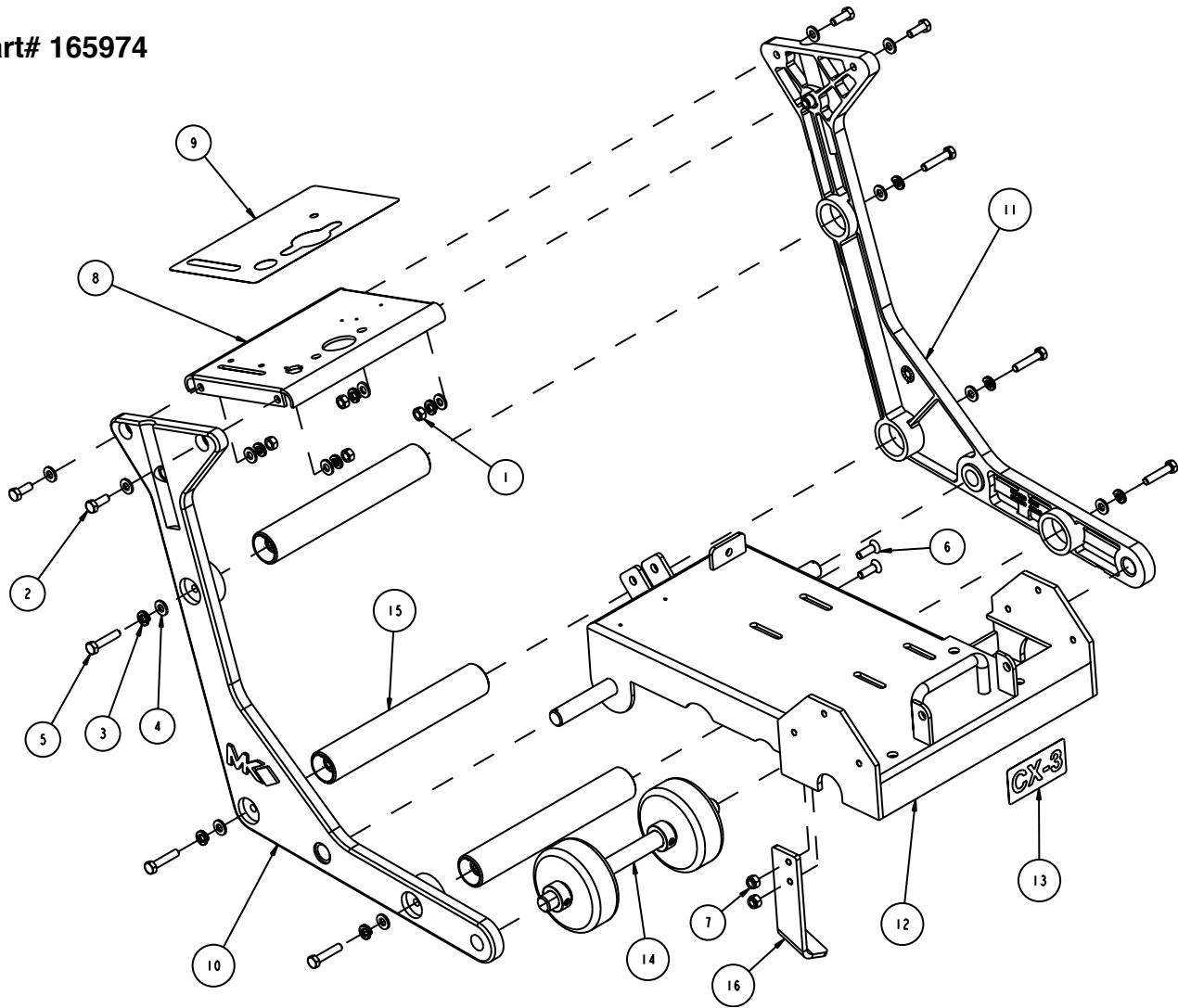


Saw Assembly
Part# 167955



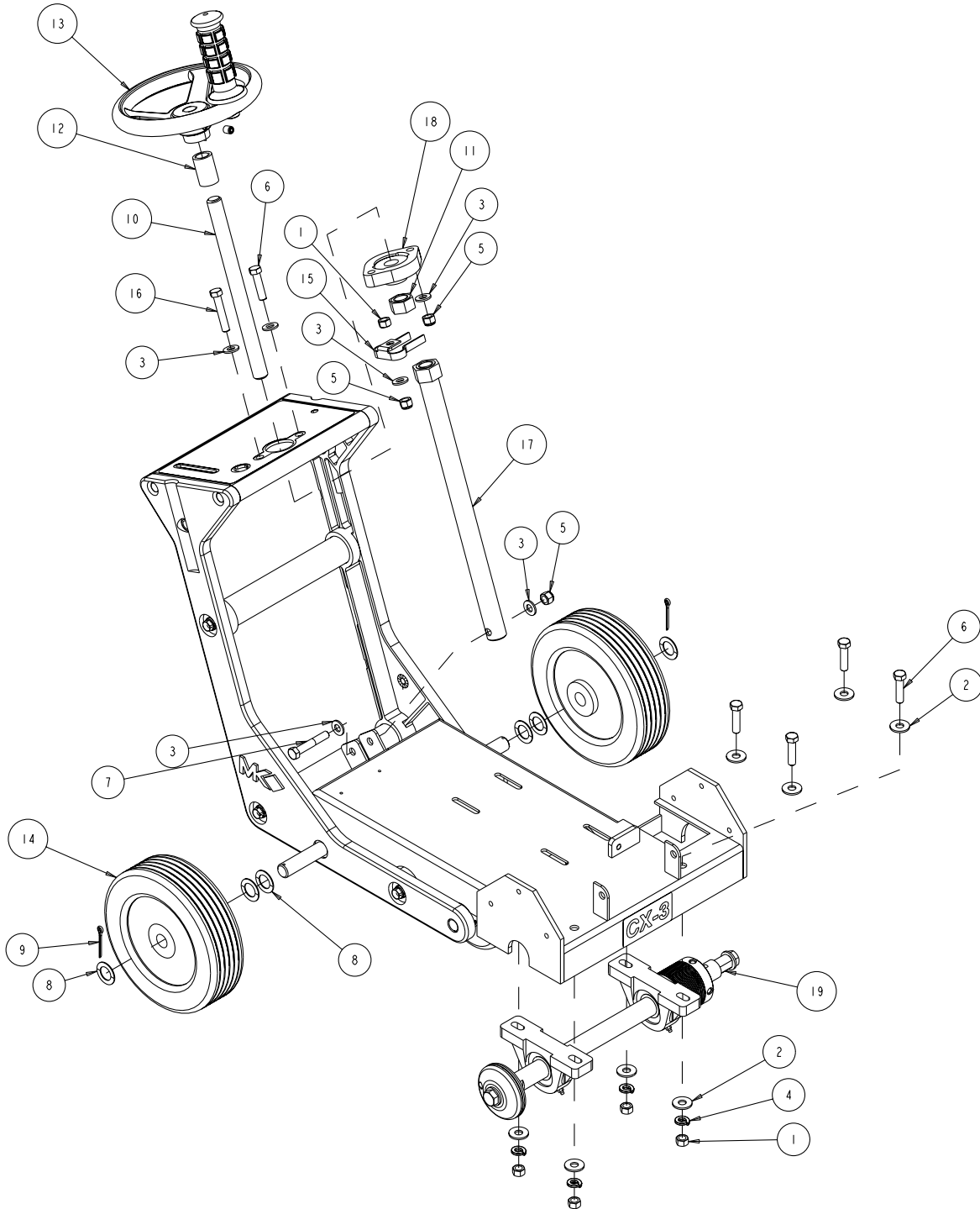
ITEM	DESCRIPTION	QTY.	PART#
1	NUT, HEX, 5/16 - 18	5	101196
2	WASHER, 5/16 FLAT CUT	8	101352
3	PIN, THROTTLE CONTROL	1	151284
4	SCREW, 10 - 24 X 1/2 PAN HEAD PHILLIPS MACHINE	2	151744
5	WASHER, LOCK, SPLIT, 5/16	4	151747
6	PIN, 1/16 X 3/4 COTTER	1	152518
7	SCREW, #6 - 32 X 3/8 PAN HEAD SELF TAPPING	2	153466
8	TACHOMETER/HOURMETER	1	153877
9	WASHER, #10 SAE FLAT	2	154369
10	HEAD, THROTTLE CONTROL	1	155406-1
11	KNOB, THROTTLE PADDLE	1	155406-2
12	NUT, 10-24 CLIP	2	155407
13	SCREW, 5/16 - 18 X 2 HEX HEAD	4	155494
14	LABEL, CAUTION, HOT SURFACE	1	155578
15	LABEL, WARNING, REFUELING	1	155580
16	LABEL, DANGER, CALIFORNIA	1	155581
17	LABEL, DANGER, LETHAL EXHAUST	1	155582
18	SCREW, 8 - 32 X 3/8 PAN HEAD PHILLIPS	1	156614
19	PLUG, HOLE PLASTIC 3/4"	1	156615
20	BOLT, 5/16 - 18 X 2-3/4 HEX HEAD TAP	1	156974
21	TAG, SERIAL #, BLANK	1	157500
22	ASSY, OIL DRAIN, 10MM	1	157577-01
23	PLATE, ENGINE BOLT	1	157847
24	DRIVE SCREW, #7 X 5/16 ROUND HEAD	2	157849
25	SWITCH, ENGINE ON/OFF, HONDA	1	157851
26	WIRE HARNESS, CX-3	1	158232
27	PLATE, ENGINE BOLT, FRONT	1	159868
28	MK-CX-3 LESS ENGINE	1	165974
29	ENGINE, KOHLER 7HP, CH270	1	167954
30	CABLE, THROTTLE, MODIFY	1	168262

Part# 165974



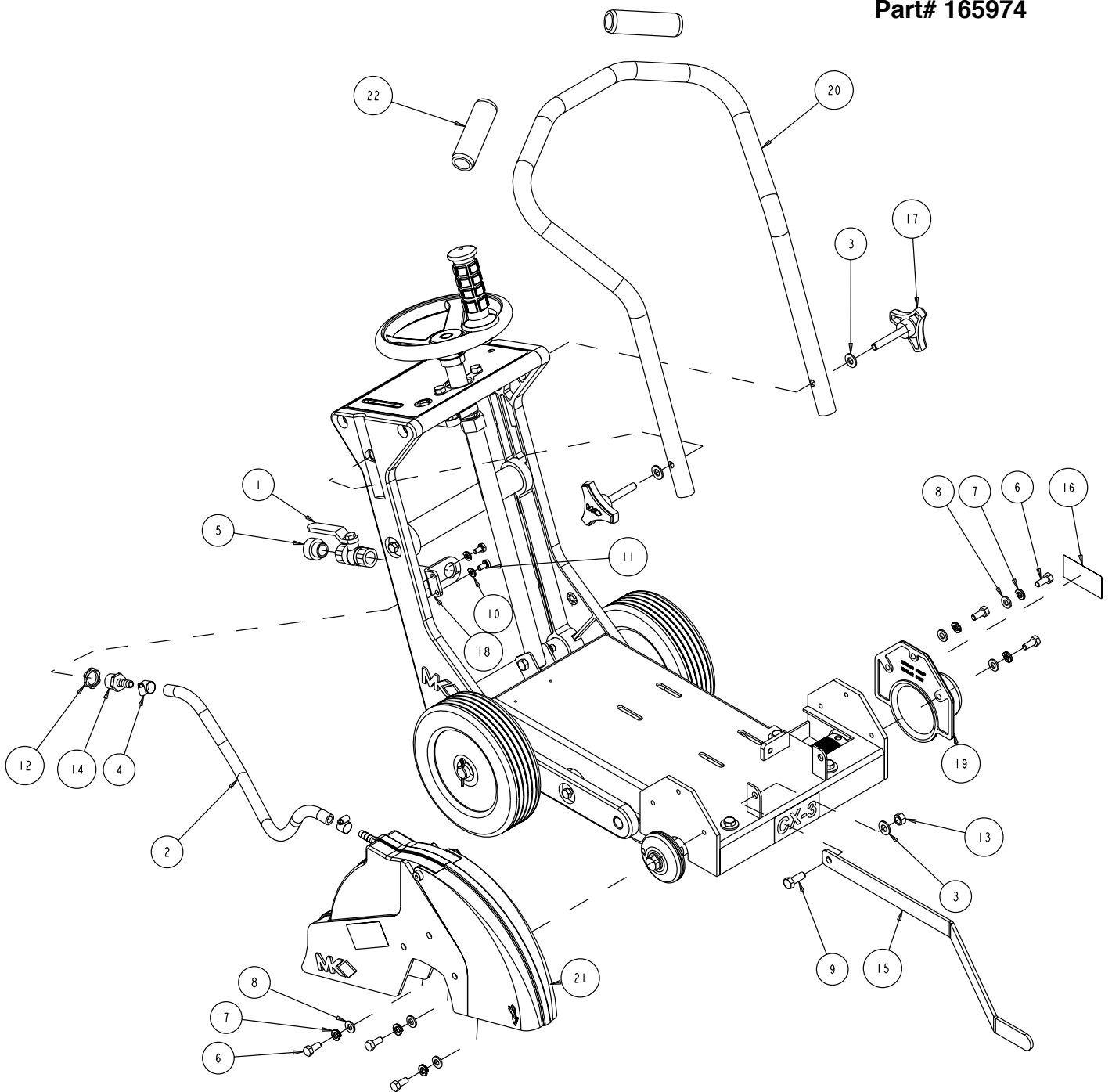
ITEM	DESCRIPTION	QTY.	PART#
1	NUT, 5/16-18 HEX	4	101196
2	SCREW, 5/16-18 X 1 HEX HEAD MACHINE	4	151743
3	WASHER, 5/16 SPLIT LOCK	10	151747
4	WASHER, 5/16 SAE FLAT	14	151754
5	SCREW, 5/16-18 X 1-1/2 HEX HEAD MACHINE	6	152467
6	SCREW, 5/16-18 X 1.0 FLAT HEAD SOCKET	2	155552
7	NUT, 5/16-18 NYLOK HEX	2	158289
8	CONSOLE, FRAME	1	158828
9	LABEL, CONSOLE, CX3	1	159208
10	CASTING, FRAME, RIGHT CX3-COMP	1	159257
11	CASTING, FRAME, LEFT CX3-COMP	1	159259
12	TRUCK, CX3	1	159260
13	LABEL, CX3	1	159482
14	ASSY, FRONT AXLE	1	165975
15	ASSY, FRAME SUPPORT	3	165978
16	BRACKET, UP STOP	1	165998

Part# 165974



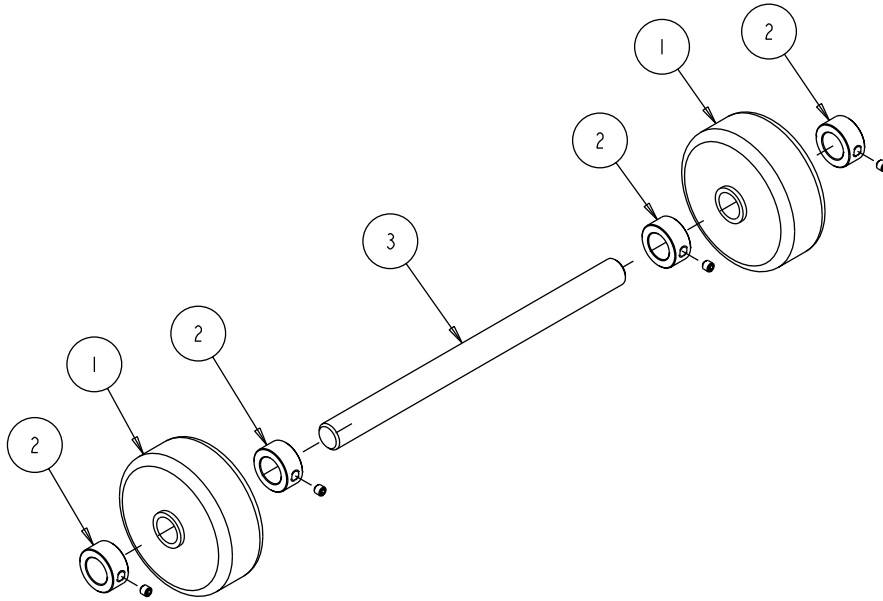
ITEM	DESCRIPTION	QTY.	PART#
1	NUT, 3/8-16 HEX	5	101188
2	WASHER, FLAT CUT 3/8	8	101360
3	WASHER, 3/8 SAE FLAT	6	150923
4	WASHER, 3/8 SPLIT LOCK	4	150925
5	NUT, 3/8-16 NYLOK HEX	3	152505
6	SCREW, 3/8-16 X 1-1/2 HEX HEAD	5	153528
7	SCREW, 3/8-16 X 2-1/4 HEX HEAD	1	153529
8	SHIM, .045 THK .750 ID 1.250 OD	6	153699
9	PIN, COTTER 1/8 X 1 1/2	2	153861
10	STUD, 3/4-10 X 7"	1	167980
11	NUT, 3/4-10 HEX	1	155063
12	SPACER, DEPTH CONTROL	1	155161
13	ASSY, CRANK WHEEL, 3/4-10	1	155457
14	WHEEL, REAR 8"	2	155986
15	SPRING, DETENT	1	156609
16	SCREW, 3/8-16 X 2 HEX HEAD	1	156829
17	TUBE, DEPTH CTRL, 3/4-10	1	165970
18	BEARING, FLANGE, 3/4ID, FD204	1	165971
19	ASSY, BLADE SHAFT	1	165977

Part# 165974



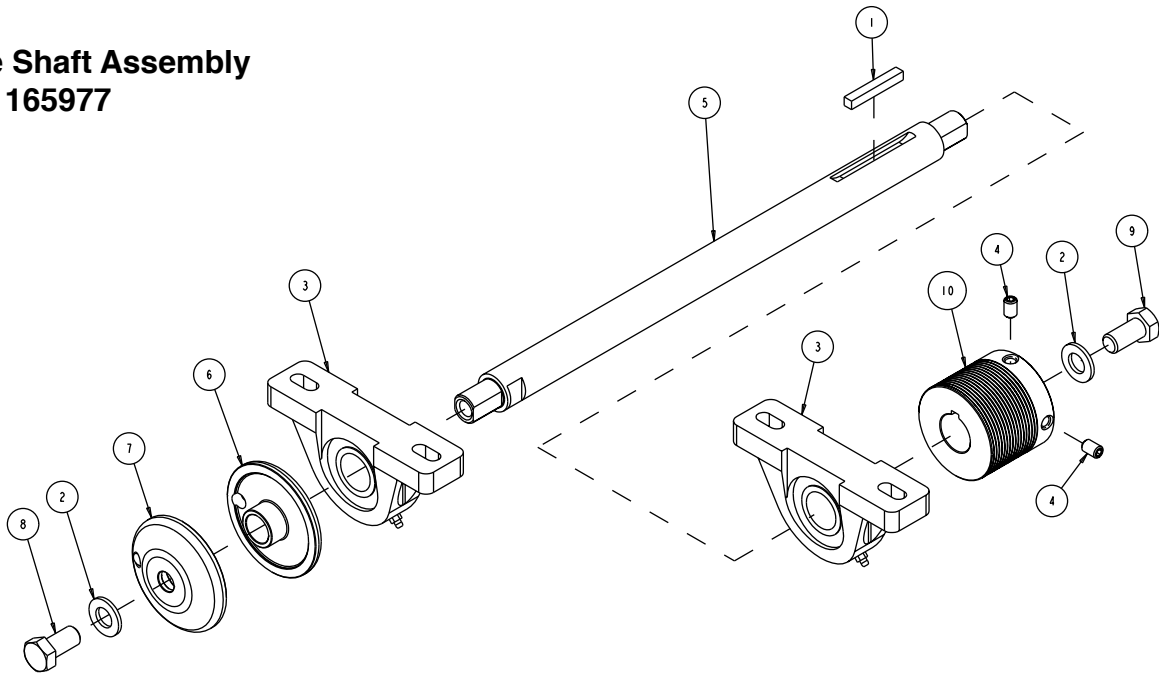
ITEM	DESCRIPTION	QTY.	PART#
1	VALVE, BALL 1/2"	1	150843
2	HOSE, 3/8 X 5/8 VINYL, 30"	1	150845-08
3	WASHER, 3/8 SAE FLAT	3	150923
4	CLAMP, 5/8 HOSE	2	151198
5	FITTING, 1/2 MNPT X 3/4 FNH	1	151322
6	SCREW, 5/16-18 X 3/4 HEX HEAD MACHINE	3	151369
7	WASHER, LOCK, SPLIT, 5/16	3	151747
8	WASHER, 5/16 SAE FLAT	6	151754
9	SCREW, HEX HD CAP, 3/8-16 X 1	1	152507
10	WASHER, 1/4 SPLIT LOCK	2	152591
11	SCREW, 1/4-20 X 1/2 HEX HEAD	2	152608
12	NUT, LOCK STEEL 1/2" NPT	1	152729
13	NUT, 3/8-16 HEX CENTERLOCK	1	153522
14	FITTING, 1/2 MNPT X 3/8 BARB	1	153653
15	POINTER, ONE-PIECE	1	155568
16	LABEL, CAUTION, GUARDS IN PLACE	1	155587
17	KNOB, TRI	2	156770-04
18	BRACKET, WATER VALVE	1	158833
19	GUARD, SHAFT (COMP)	1	158843
20	HANDLEBAR	1	158849
21	ASSY, 14" BLADEGUARD	1	165976
22	GRIP, HANDLE	2	229413

**Axle Assembly
Part# 165975**



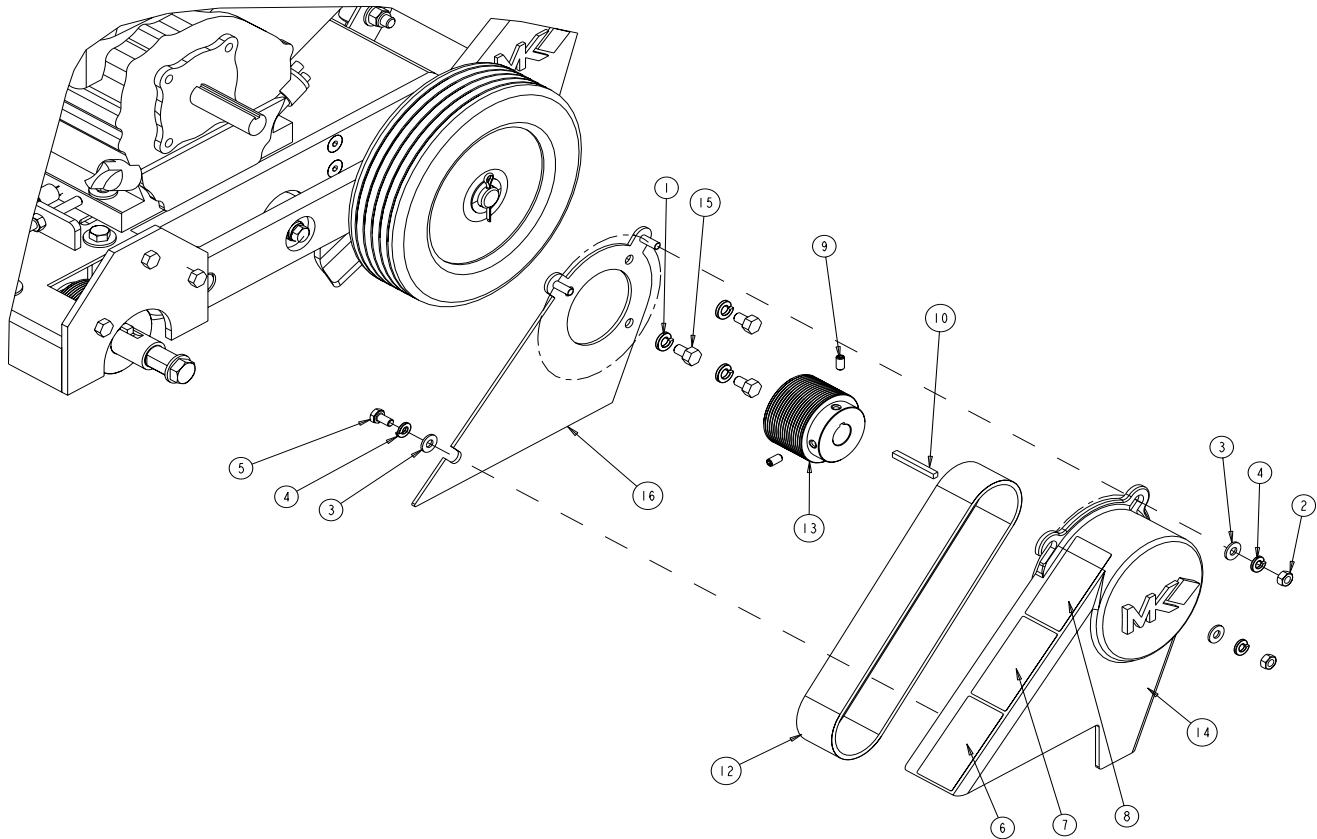
ITEM	DESCRIPTION	QTY.	PART#
1	WHEEL, FRONT, 04 X 1-1/2W	2	150830
2	COLLAR, SET, 3/4"	4	153814
3	AXLE, FRONT	1	158862

Blade Shaft Assembly
Part# 165977



ITEM	DESCRIPTION	QTY.	PART#
1	KEY, SQUARE, 1/4 X 1-3/4	1	150796
2	WASHER, 1/2 SAE FLAT	2	150924
3	BEARING, PILLOW BLK 1"	2	155072
4	SCREW, 5/16-18 X 3/8 SOCKET HEAD SET	2	157084
5	SHAFT, BLADE	1	158879
6	FLANGE, INNER	1	158880
7	ASSY, FLANGE, OUTER	1	158881
8	SCREW, 1/2-13 X 1 HEX HEAD CAP, LH	1	159203
9	SCREW, 1/2-13 X 1 HEX HEAD CAP	1	159204
10	PULLEY, 16J25 X 1.0 BORE	1	161136

**Belt Assembly
Part# 167955**



ITEM	DESCRIPTION	QTY.	PART#
1	WASHER, LOCK, SPLIT, 5/15	3	151747
2	NUT, 1/4 - 20 HEX	2	151893
3	WASHER, 1/4 SAE FLAT	3	151915
4	WASHER, 1/4 SPLIT LOCK	3	152591
5	SCREW, 1/4 - 20 X 1/2 HEX HEAD	1	152608
6	LABEL, CAUTION, DISCONNECT SPRKPLG	1	155579
7	LABEL, CAUTION, BELT TENSION	1	155583
8	LABEL, CAUTION, GUARDS IN PLACE	1	155587
9	SCREW, 1/4 - 20 X 1/2 SOCKET HEAD SET	2	155804
10	KEY, 3/16 X 3/16 X 1-3/4	1	157561
11	WIRE HARNESS, CX-3®	1	158232
12	BELT, MICRO-V, 240J16	1	158824
13	PULLEY, 16J25 X .75 BORE	1	158959
14	CASTING, BELT GUARD, CX-3 COMP	1	159021
15	SCREW, 5/15 - 24 X 1/2 HEX HEAD MACHINE	3	159205
16	GUARD, INNER BELT	1	159250